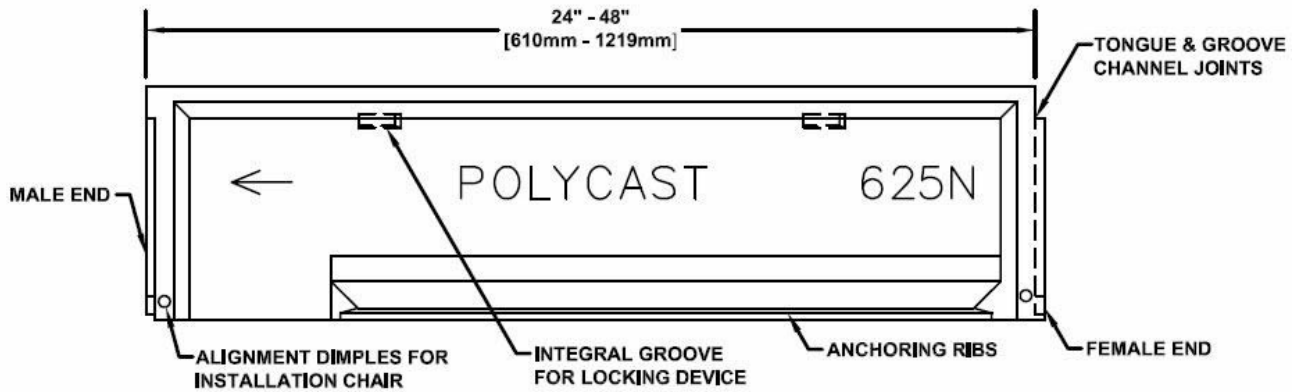
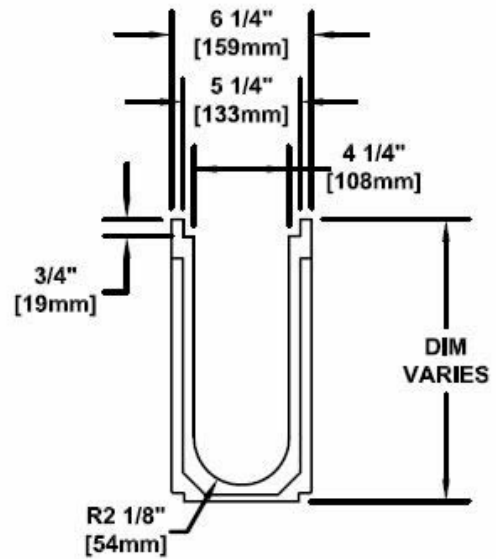
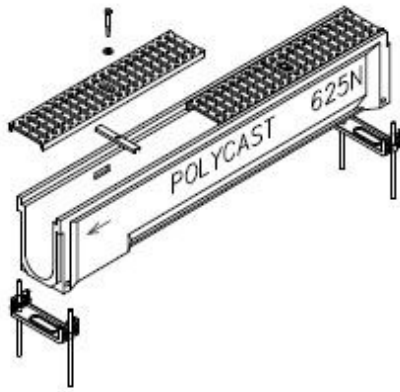


<b>Number</b>  <p style="text-align: center;"><b>DP0600</b></p>	<b>Series</b>  <p style="text-align: center;"><b>TPC600 / 700</b> Channel Polycast 600 / 700 Series</p>
---	---



<input checked="" type="checkbox"/> Channel Number	Part No.
<input type="checkbox"/> Polyester Concrete Channels	DP06 __
<input type="checkbox"/> Vinyl Ester Concrete Channels	DV06 __

**Manufacturer**

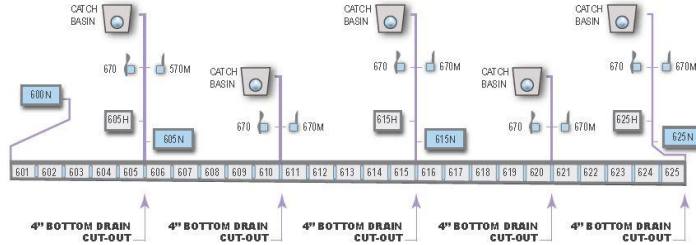


**Specification**

POLYCAST 600 SERIES PRE-SLOPED TRENCH DRAIN IS A .65% SLOPED TRENCH DRAIN SYSTEM WITH 6 1/4" WIDE X A NOMINAL 48" LONG POLY-ESTER POLYMER CONCRETE CHANNELS WITH TONGUE AND GROOVE CONNECTIONS. CHANNELS 605/610/615/620/625 AND NON-SLOPING (NEUTRALS) WILL BE SUPPLIED WITH DRILL OUTS FOR 4" BOTTOM OUT-LET. INSTALLATION CHAIRS RECOMENDED FOR INSTALLATION.

DISCLAIMER - The customer and the customer's architects, engineers, consultants, and other professionals are completely responsible for the selection installation and maintenance of any product purchased from Trench Drain Supply and/or its manufacturers. TRENCH DRAIN SUPPLY MAKES NO WARRANTY, EXPRESS OR IMPLIED, AS TO THE SUITABILITY, DESIGN, MERCHANTABILITY, OR FITNESS OF THE PRODUCT FOR CUSTOMERS APPLICATION. The drawing and information provided remain the property and copyright of the manufacturer listed. The manufacturer reserves the right to modify specification without notice.

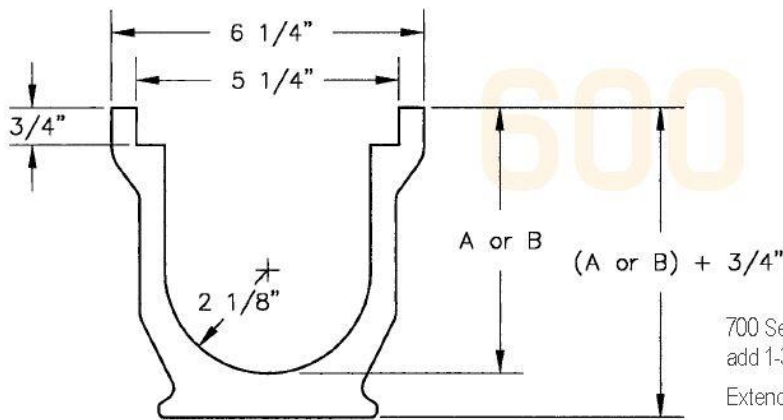
<b>Number</b>  <b>DP0600 Size Chart</b>	<b>Series</b>  <b>TPC600 / 700</b> <b>Channel Size Chart</b> <b>Polycast 600 / 700 Series</b>
---	---



**NOTE 1:** All half and non-sloped channels have bottom cut outs.  
**NOTE 2:** All half and non-sloped channels accept the corresponding end caps.

Channel Number	Weight Lbs.	Inlet DIM 'A'	Outlet DIM 'B'
600N (non-sloped)	43	4-1/16	4-1/16
601	44	4-1/16	4-3/8
602	45	4-3/8	4-11/16
603	46	4-11/16	5
604	46	5	5-5/16
605	47	5-5/16	5-5/8
605N (non-sloped)	48	5-5/8	5-5/8
605H (non-sloped 24")	22	5-5/8	5-5/8
606	49	5-5/8	5-15/16
607	50	5-15/16	6-1/4
608	51	6-1/4	6-9/16
609	52	6-9/16	6-7/8
610	54	6-7/8	7-3/16
611	55	7-3/16	7-1/2
612	56	7-1/2	7-13/16
613	57	7-13/16	8-1/8

Channel Number	Weight Lbs.	Inlet DIM 'A'	Outlet DIM 'B'
614	58	8-1/8	8-7/16
615	59	8-7/16	8-3/4
615N (non-sloped)	61	8-3/4	8-3/4
615H (non-sloped 24")	29	8-3/4	8-3/4
616	62	8-3/4	9-1/16
617	63	9-1/16	9-3/8
618	64	9-3/8	9-11/16
619	65	9-11/16	10
620	66	10	10-5/16
621	68	10-5/16	10-5/8
622	71	10-5/8	10-15/16
623	72	10-15/16	11-1/4
624	75	11-1/4	11-9/16
625	76	11-9/16	11-7/8
625N (non-sloped)	76	11-7/8	11-7/8
625H (non-sloped 24")	38	11-7/8	11-7/8



700 Series HARDNOSE and DURAGUARD® frames add 1-3/16" to dimensions A or B.  
 Extender Panels add 7-13/16" to dimensions A or B.

**Manufacturer**



**Specification**

POLYCAST 600 SERIES PRE-SLOPED TRENCH DRAIN IS A .65% SLOPED TRENCH DRAIN SYSTEM WITH 6 1/4" WIDE X A NOMINAL 48" LONG POLY-ESTER POLYMER CONCRETE CHANNELS WITH TONGUE AND GROOVE CONNECTIONS. CHANNELS 605/610/615/620/625 AND NON-SLOPING (NEUTRALS) WILL BE SUPPLIED WITH DRILL OUTS FOR 4" BOTTOM OUTLET. INSTALLATION CHAIRS RECOMMENDED FOR INSTALLATION.

**DISCLAIMER** - The customer and the customer's architects, engineers, consultants, and other professionals are completely responsible for the selection, installation, and maintenance of any product purchased from Trench Drain Supply and/or its manufacturers. TRENCH DRAIN SUPPLY MAKES NO WARRANTY, EXPRESS OR IMPLIED, AS TO THE SUITABILITY, DESIGN, MERCHANTABILITY, OR FITNESS OF THE PRODUCT FOR CUSTOMER APPLICATION. The drawing and information provided remain the property and copyright of the manufacturer listed. The manufacturer reserves the right to modify specification without notice.